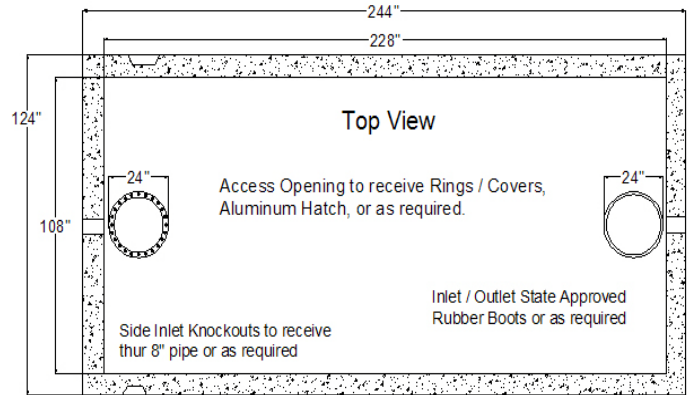
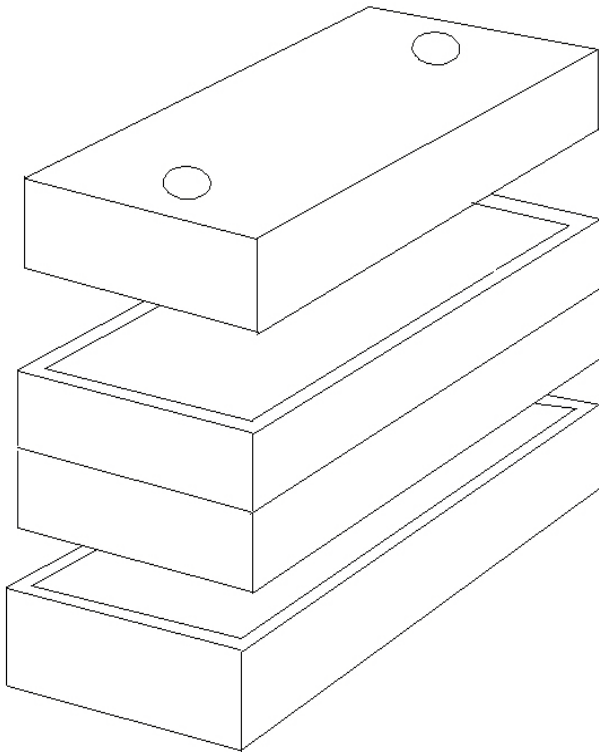




FreeRain System

12,000 Gallon Tank



PT - 493

Date Approved 5-13-05

Traffic Rated

Liquid Capacity **12,323 Gallons** 103 Gallons per. inch

Reinforcing Schedule: [See Engineer Drawing](#)

28.34 Yds. of 5000 PSI Concrete w/ State Approved Structural Fiber

Top Section Est. Weight 44,000 lbs.

Each Riser Section Est. Weight 16,000 lbs.

Bottom Section Est. Weight 44,000 lbs. Est. Total Weight 120,000 lbs.

